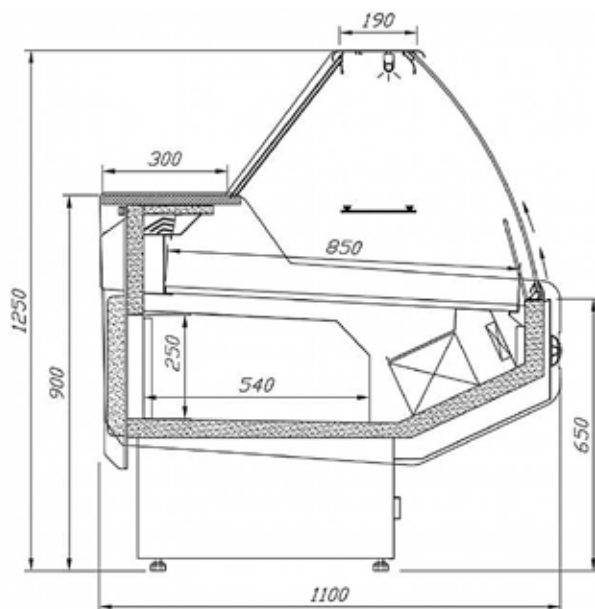
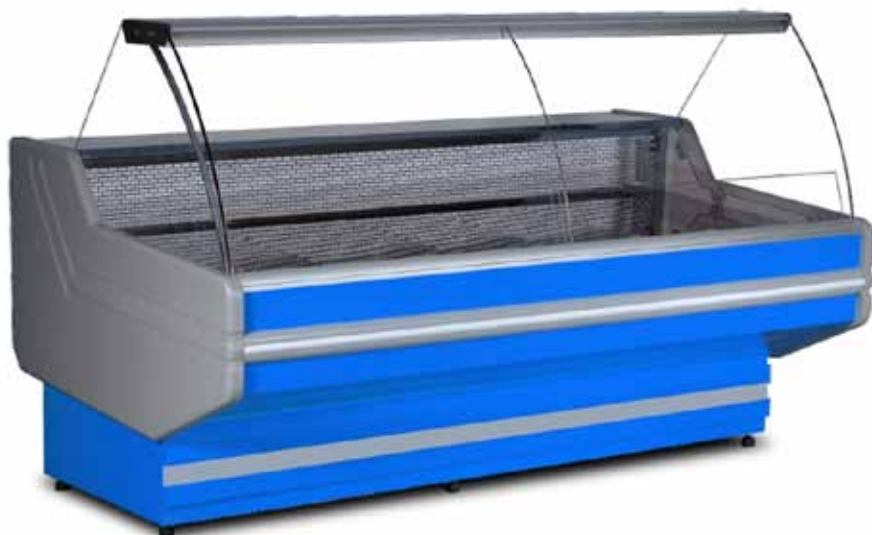


Refrigerated Serve Overs - J-Modena V



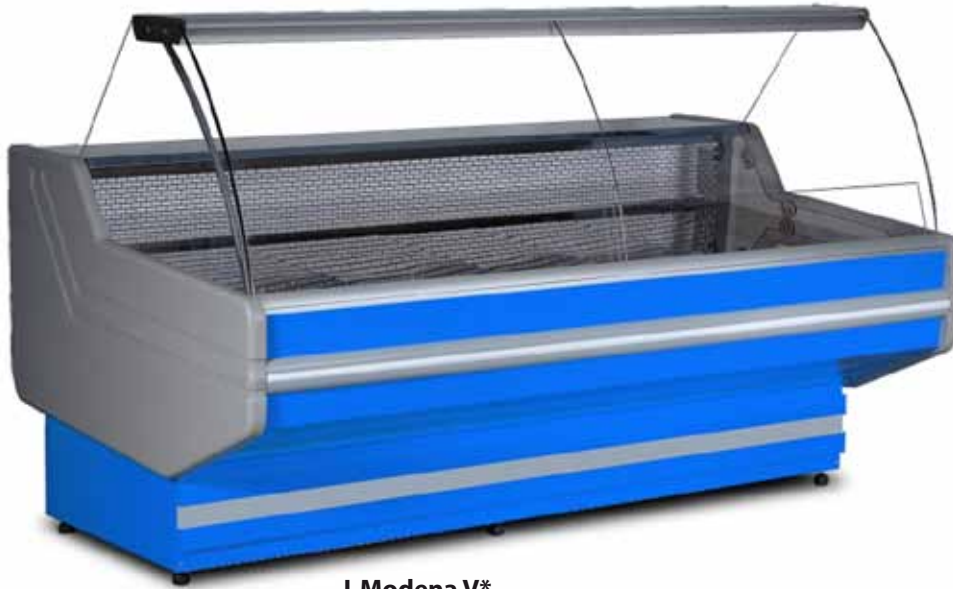
J-Modena V*

Technical parameters:

Model	Dimension (ext.) H x W x D [mm]	Display surface [m ²]	Power Consumption [kWh/24h]	Weight [kg]
J-Modena V 100/110	1250 x 1080 x 1100	0,85	4,39	100
J-Modena V 125/110	1250 x 1330 x 1100	1,05	6,02	120
J-Modena V 150/110	1250 x 1580 x 1100	1,30	8,40	150
J-Modena V 200/110	1250 x 2080 x 1100	1,70	11,11	190
J-Modena V 250/110	1250 x 2580 x 1100	2,12	11,33	220
J-Modena V 300/110	1250 x 3080 x 1100	2,55	14,00	250
J-Modena V 375/110	1250 x 3830 x 1100	3,20	15,00	390

* - Picture above presents unit with either some or all available extras. Please note that the look of basic version of cabinet, or one of your choice, may vary from presented.

Refrigerated Serve Overs - J-Modena V

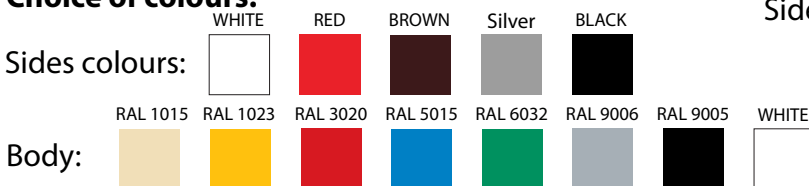


J-Modena V*

Description:

- temperature range 0/ +6°C
- preferred ambient temperature +16 / +25°C
- power supply 230V / 50Hz
- internal condensing unit
- ecological polyurethane insulation
- base and front made of powder coated steel - white
- display deck depth 850mm
- exposition surface made of stainless steel
- refrigerated under-storage made of stainless steel
- 300mm width heated stainless steel worktop
- electronic control with temperature display
- automatic defrost system
- defrost heaters in evaporator
- forced air circulation
- curved openable front glass
- perspex blinds
- interior LED lighting (meat "pink" colour)
- socket with fuse
- ABS side walls (40mm thick) - choice of colours
- 1 year full warranty service and after warranty service provided

Choice of colours:



Available options:

- multiplexing
- prepared to work with external condensing unit
- external housing made of stainless steel (staff side)
- exposition area stepped (3 steps) stainless steel
- worktop made of granite
- LED light colour (white)
- additional exposition glass shelf (ambient)
- customer front shelf (pipe or square shape)
- small table for scale
- movable partition (glass on stands, placed in exposition area)
- fixed top partition (high glass fixed in exposition area)
- automatic condensate evaporation (internal condensing unit only)
- set of wheels (castors)

Optional colours:



* - Picture above presents unit with either some or all available extras. Please note that the look of basic version of cabinet, or one of your choice, may vary from presented.